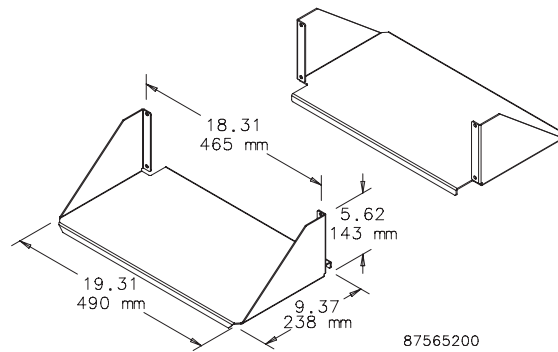


## Shelves for Open Frame Racks and Cabinets

### Double-Sided Solid Aluminum Shelf

Mounts on 19-in. open frame rack. Two shelves form double-sided shelf. Uses 4U rack space. Made of 0.090-in. thick aluminum with brushed finish.  
Maximum load rating: 100 lb. (45.4 kg) per side, 200 lb. (90.7 kg) total  
Bulletin: DACCY

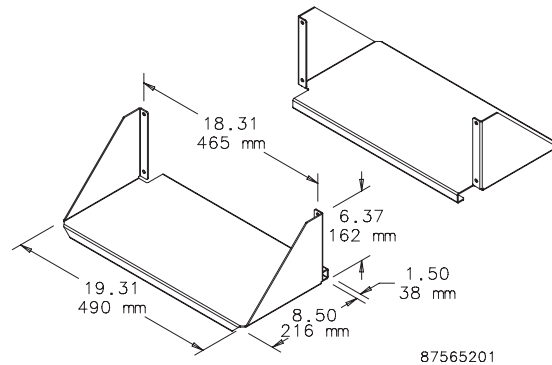
Catalog Number	H x W x D	Fits Rack	Includes	Rack Units
	in./mm			
ESHDA19	5.62 x 19.31 x 9.37	19 in.	2 shelves	4
	143 x 490 x 238			



### Double-Sided, Solid Aluminum, Heavy Duty Shelf

Mounts on open frame rack. Two shelves form double-sided shelf. Uses 4U rack space. Made of 0.090-in. thick aluminum with brushed finish.  
Maximum Load Rating: 150 lb. (68.0 kg) per side, 300 lb. (136.1 kg) total  
Bulletin: DACCY

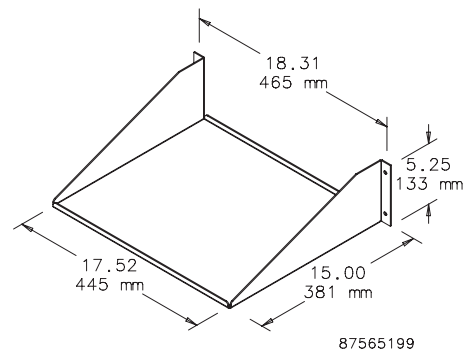
Catalog Number	H x W x D	Fits Rack	Includes	Rack Units
	in./mm			
ESHDDA19	6.37 x 19.31 x 10.00	19 in.	2 shelves	4
	162 x 490 x 254			



### Single-Sided Solid Aluminum Shelf

Mounts in a cabinet or on a 19-in. open-frame rack and can be wall mounted. Made of 0.090-in. thick aluminum with brushed finish.  
Maximum load rating: 100 lb. (45.4 kg)  
Bulletin: DACCY

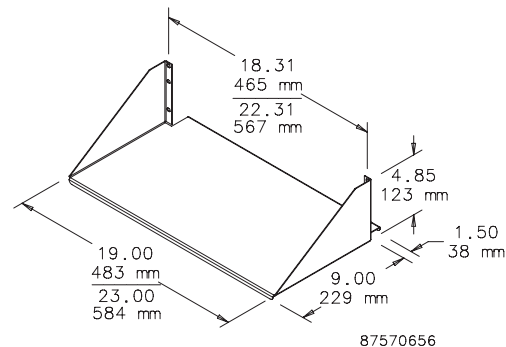
Catalog Number	H x W x D	Fits Rack	Rack Units
	in./mm		
ESHA19	5.25 x 18.31 x 15.00	19 in.	3
	133 x 465 x 381		



### Single-Sided Solid-Steel Shelf

Solid shelf mounts to either front or rear flange of open-frame rack. Uses 3U of rack space. Steel with textured black finish.  
Load rating: 150 lb. (68.0 kg)  
Bulletin: DACCY

Catalog Number	H x W x D	Fits Rack	Rack Units
	in./mm		
ESH19S	4.85 x 19.00 x 10.50	19 in.	3
	123 x 483 x 267		
ESH23S	4.85 x 23.00 x 10.50	23 in.	3
	123 x 584 x 267		



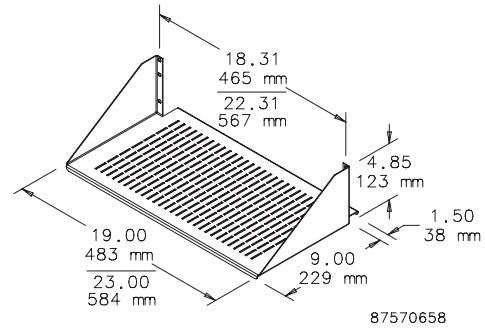
## Shelves for Open Frame Racks and Cabinets

### Single-Sided Steel Vented Shelf

Vented shelf mounts to either front or rear flange of open-frame rack. Steel with textured black polyester powder paint finish. Load rating: 150 lb. (68.0 kg)

Bulletin: DACCY

Catalog Number	H x W x D in./mm	Fits Rack	Rack Units
ESH19V	4.85 x 19.00 x 10.50 123 x 483 x 267	19 in.	3
ESH23V	4.85 x 23.00 x 10.50 123 x 584 x 267	23 in.	

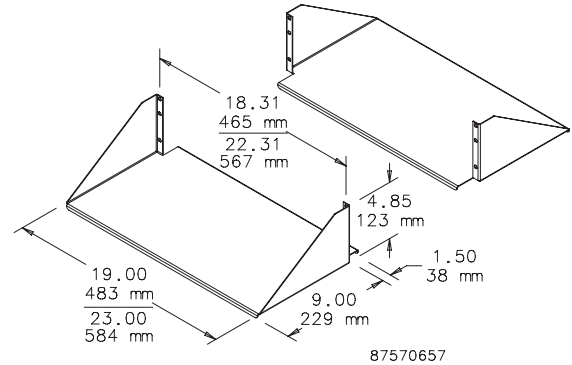


### Double-Sided Solid-Steel Shelf

Solid double-deep shelf mounts to both front and rear flanges of open frame rack. Steel with textured black polyester powder paint finish. Load rating: 300 lb. (136.1 kg)

Bulletin: DACCY

Catalog Number	H x W x D in./mm	Fits Rack	Rack Units
ESHD19	4.85 x 19.00 x 10.50 123 x 483 x 267	19 in.	3
ESHD23	4.85 x 23.00 x 10.50 123 x 584 x 267	23 in.	3

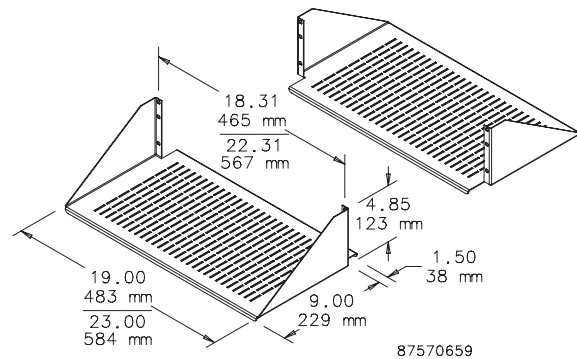


### Double-Sided Steel Vented Shelf

Vented, double-deep shelf mounts to both front and rear flanges of open frame rack. Steel with textured black polyester powder paint finish. Load rating: 300 lb. (136.1 kg)

Bulletin: DACCY

Catalog Number	H x W x D in./mm	Fits Rack	Rack Units
ESHDV19	4.85 x 19.00 x 10.50 123 x 483 x 267	19 in.	3
ESHDV23	4.85 x 23.00 x 10.50 123 x 584 x 267	23 in.	3

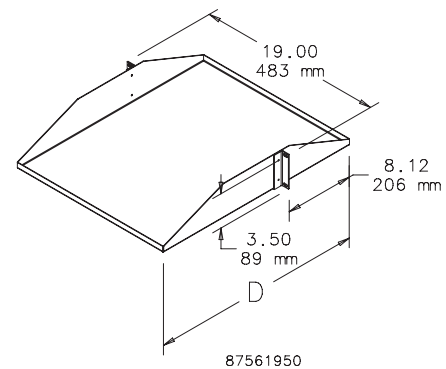


### Center-Mount Steel Shelves

19-in. shelf mounts to the front of the rack. Ideal for supporting monitors or computers. Designed to evenly distribute load across the rack. Manufactured from 16 gauge steel. Black, low-gloss, light-textured polyester powder paint finish on all surfaces. Load rating: 100 lb. (45.4 kg)

Bulletin: DOFRC

Catalog Number	H x W x D in./mm	Style	Rack Units
ECMS1918	3.50 x 19.00 x 18.00 89 x 483 x 457	Solid	2
ECMS1922	3.50 x 19.00 x 22.00 89 x 483 x 559	Solid	2
ECMSV1918	3.50 x 19.00 x 18.00 89 x 483 x 457	Vented	2
ECMSV1922	3.50 x 19.00 x 22.00 89 x 483 x 559	Vented	2



## Shelves for Open Frame Racks and Cabinets

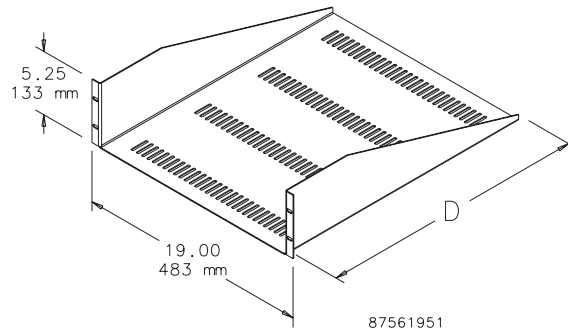
### Rack-Mount Steel Shelf

19-in. Rack-Mount Shelf mounts to the front of the rack. Ideal for holding non-19-in. rack-mount equipment. Available with or without vents. Manufactured from 16 gauge steel. Black, low-gloss, lightly textured finish on all surfaces.

Load rating: 100 lb. (45.4 kg)

Bulletin: DOFRC

Catalog Number	H x W x D in./mm	Style	Rack Units
EMS1918	5.25 x 19.00 x 18.00 133 x 483 x 457	Solid	3
EMS1922	5.25 x 19.00 x 22.00 133 x 483 x 559	Solid	3
EMSV1918	5.25 x 19.00 x 18.00 133 x 483 x 457	Vented	3
EMSV1922	5.25 x 19.00 x 22.00 133 x 483 x 559	Vented	3



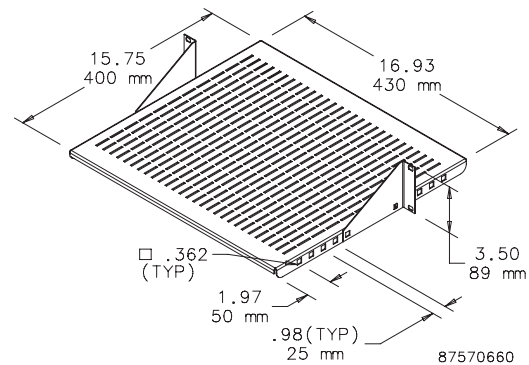
### Adjustable Steel Vented Shelf

Vented shelf adjustable front to back in 25-mm increments. Shelf mounts to either front or rear flange of open frame rack. Steel with textured black polyester powder paint finish.

Load rating: 60 lb. (27.2 kg)

Bulletin: DACCY

Catalog Number	H x W x D in./mm	Fits Rack	Rack Units
ESHVA19	3.50 x 16.93 x 15.75 89 x 430 x 400	19 in.	2
ESHVA23	3.50 x 19.93 x 15.75 89 x 506 x 400	23 in.	2



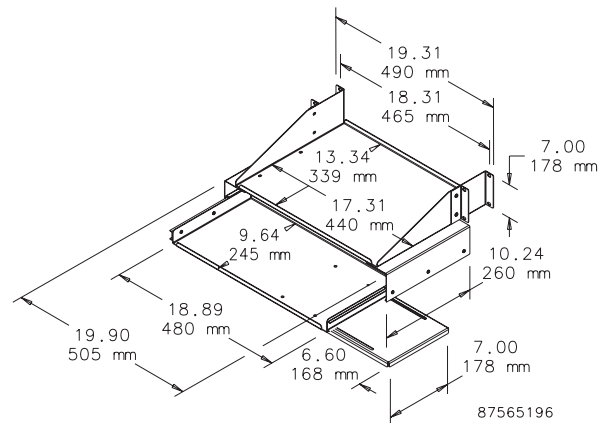
### Pullout Keyboard Tray with Monitor Shelf

Mounts to the front and back surfaces of a standard 3-in. open frame rack. Fits full-size keyboard. Includes mouse tray. Extends 10.5 in. (267 mm) beyond front of open frame rack. Keyboard tray slides out an additional 7 in. (178 mm). Uses 4U rack space. 16 gauge steel with RAL 9005 black polyester powder paint finish.

Monitor shelf load rating: 100 lb. (45.4 kg)

Bulletin: DACCY

Catalog Number	H x W x D in./mm	Fits Rack	Rack Units
E19SKBM	7.00 x 19.90 x 10.24 178 x 505 x 260	19 in.	4

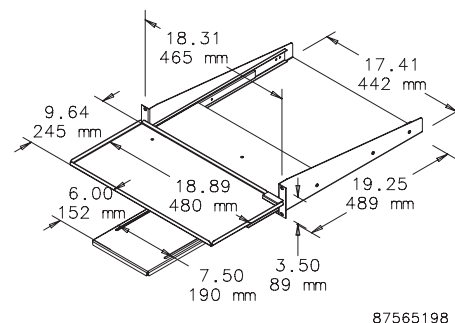


### Pivoting Keyboard Shelf with Mouse Tray

Mounts either in a cabinet or on a 19-in. open-frame rack. Shelf pulls out and pivots 90 degrees to access full-size keyboard. Shelf allows keyboard to slide between standard rack angles and includes mouse tray. 16 gauge steel with RAL 9005 black polyester powder paint finish. Keyboard tray extends 9.75 in. (248 mm) beyond front of rack angles or open-frame rack.

Bulletin: DACCY

Catalog Number	H x W x D in./mm	Fits Rack	Rack Units
P19KBPVT	3.50 x 18.89 x 19.25 89 x 480 x 489	19 in.	2



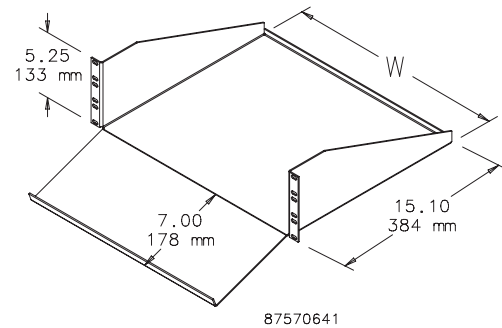
## Shelves for Open Frame Racks and Cabinets

### Steel Keyboard/Monitor Shelf

Designed to accommodate a monitor and keyboard in an ergonomically engineered design. Shelf mounts to front flange of open-frame rack. Can mount in a cabinet if rack angles are adjusted back for door clearance. Uses 3U of rack space. 19-in. and 23-in. rack versions. Steel with textured black finish. Load rating: 200 lb. (91 kg)

Bulletin: DACCY

Catalog Number	H x W x D in./mm	Fits Rack	Rack Units
ESH19KBM	5.25 x 17.38 x 15.10 133 x 441 x 384	19	3
ESH23KBM	5.25 x 21.38 x 15.10 133 x 543 x 384	23	3

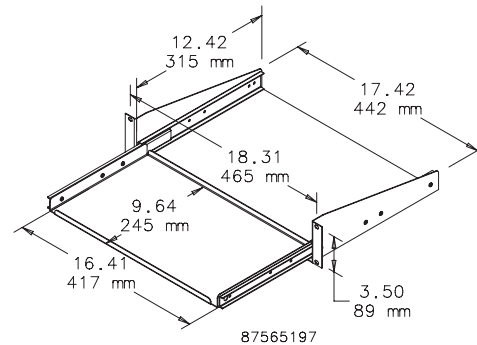


### Pull-Out Shelf for Mini Keyboard

Pull-Out Shelf for Mini Keyboard mounts either in a cabinet or on a 19-in. open-frame rack and fits a 16.25-in. (413-mm) wide keyboard. When closed, all parts slide between rack angles. Keyboard tray slides out 8.94 in. (227 mm). 16 gauge steel with RAL 9005 black polyester powder paint finish.

Bulletin: DACCY

Catalog Number	H x W x D in./mm	Fits Rack	Rack Units
P19KBSM	3.50 x 18.31 x 12.42 89 x 465 x 315	19 in.	2



### Tool-less Shelf

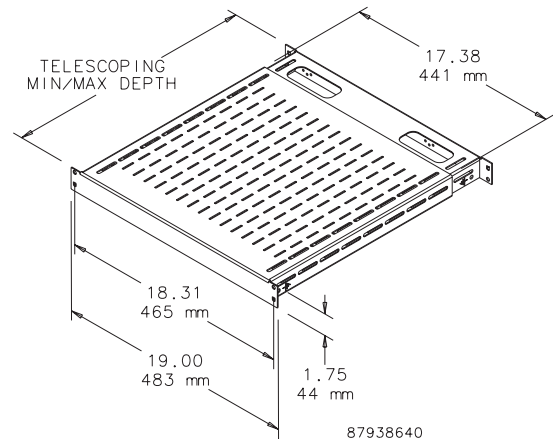


An easy-to-install tool-less vented 19-in. shelf. Mounts onto rack angles that have EIA-spaced square holes (.375 in.). Shelf slides open and provides a variable-sized, continuous surface for equipment. Back of shelf has oval cutouts for power and data cables. Accessory hole patterns at back of shelf fit small and large D-rings to help manage cable. Made of steel with a 150 lb. (68 kg) static load rating. Available with RAL 9005 black or RAL 7035 gray polyester powder coat finish.

Bulletin: DACCY

Catalog Number	Description	Finish	Minimum Depth mm/in.	Maximum Depth mm/in.
D19FVT69B	Shelf, vented, 19 in. tool-less	Black	495 19.50	851 33.50
D19FVT69G	Shelf, vented, 19 in. tool-less	Gray	495 19.50	851 33.50
D19FVT912B	Shelf, vented, 19 in. tool-less	Black	792 31.20	1151 45.30
D19FVT912G	Shelf, vented, 19 in. tool-less	Gray	792 31.20	1151 45.30

Minimum and maximum depth measured from rack angle to rack angle.



## Shelves for Open Frame Racks and Cabinets

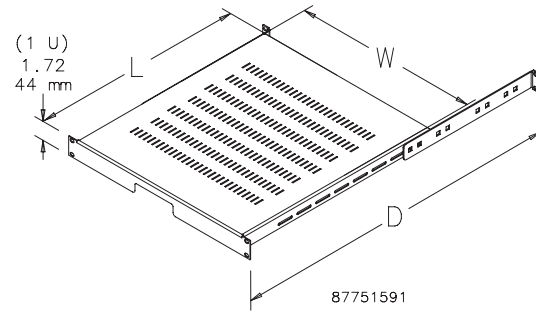
### Rack-Mount Adjustable Shelf



Mounts to front surface of front and back rack angles. Shelf is made of painted 14 gauge steel and the adjustable support brackets are clear-plated 12 gauge steel. Adjustable to fit multiple-depth enclosures or rack angle placement. Both solid and vented models available. Fits 19- or 23-in. rack spacing. Requires only 1U of rack space. Shelf has RAL 7035 light-gray textured or RAL 9005 black textured polyester powder paint finish.

Load rating: 150 lb. (68 kg)

Bulletin: DACCY



Catalog Number	Type	Size	Finish	L x W (in.)	L x W (mm)	D max. (in.)	D max. (mm)	Fits Enclosure Depth Up To (in.)	Fits Enclosure Depth Up To (mm)
P19SH68	Solid	19 in.	Gray	19.68 x 17.32	500 x 440	30.71	780	31.50	800
P19SH68B	Solid	19 in.	Black	19.68 x 17.32	500 x 440	30.71	780	31.50	800
P19VSH68B	Vented	19 in.	Black	19.68 x 17.32	500 x 440	30.71	780	31.50	800
P19SH810	Solid	19 in.	Gray	27.56 x 17.32	700 x 440	38.58	980	39.37	1000
P19SH810B	Solid	19 in.	Black	27.56 x 17.32	700 x 440	38.58	980	39.37	1000
P19VSH810B	Vented	19 in.	Black	27.56 x 17.32	700 x 440	38.58	980	39.37	1000
P23SH68B	Solid	23 in.	Black	19.68 x 21.32	500 x 542	30.71	780	31.50	800
P23VSH68B	Vented	23 in.	Black	19.68 x 21.32	500 x 542	30.71	780	31.50	800
P23SH810B	Solid	23 in.	Black	27.56 x 21.32	700 x 542	38.58	980	39.37	1000
P23VSH810B	Vented	23 in.	Black	27.56 x 21.32	700 x 542	38.58	980	39.37	1000

### Single-Sided Shelf

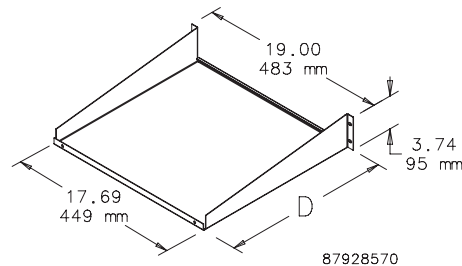


Mounts to 19-in. rack angles to house voice/data networking equipment. RAL 9005 black finish.

Load rating: 75 lb. (34 kg)

Bulletin: DACCY

Catalog Number	H x W x D (in.)	H x W x D (mm)	Style	Rack Units
ESH198	3.74 x 19.00 x 8.00	95 x 483 x 203	Solid	2
ESH1915	3.74 x 19.00 x 15.00	95 x 483 x 381	Solid	2
ESH1915V	3.74 x 19.00 x 15.00	95 x 483 x 381	Vented	2
ESH1917	3.74 x 19.00 x 17.00	95 x 483 x 432	Solid	2



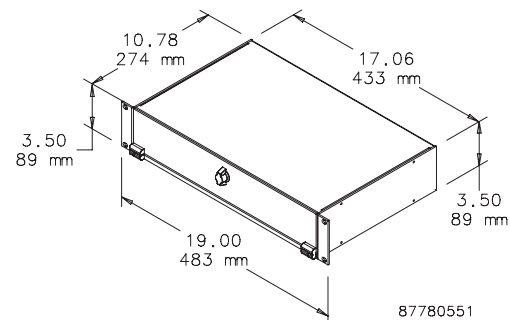
### Keyboard Compartment for 19-in. Racks



Provides a convenient way to incorporate a keyboard with other 19-in. rack-mounted equipment. Uses 2 RU of space. Made of light-weight aluminum with brushed finish. Accommodates keyboard up to 16.50-in. (419-mm) wide. Mounting hardware included.

Bulletin: DACCY

Catalog Number	Fits rack width	Rack Units
A19KBC2B	19	2

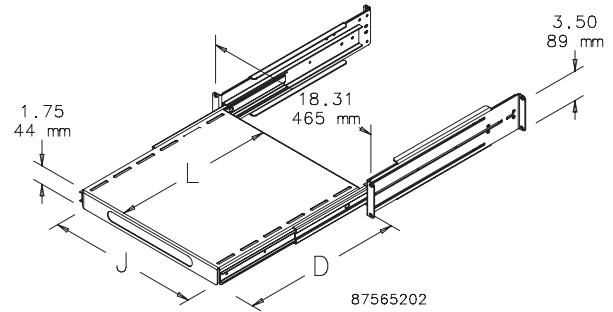


## Shelves for Open Frame Racks and Cabinets

### Sliding Equipment Shelf

Steel Sliding Equipment Shelf mounts to front surface of front and back rack angles. Models fit 19- or 23-in. rack spacing. Adjusts to fit multiple-depth enclosures and rack angle placements. Shelf can be used on 2-post rack or cabinet with front rack angles only by reversing support bracket. Optional cable manager arm available. 14 gauge steel with 12 gauge supports with RAL 9005 black polyester powder paint finish. Load rating: 150 lb. (68.0 kg) with four corner mounting; 75 lb. (34.0 kg) with two-post or front-rack-angle cabinet mounting. Optional Cable Manager Arm is recommended to help control cable movement as shelf slides in and out.

Bulletin: DACCY



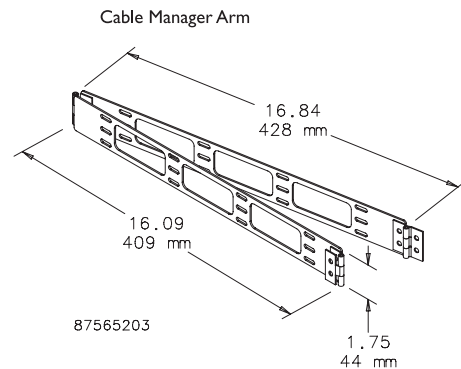
Catalog Number	D (in.)	D (mm)	L (in.)	L (mm)	J (in.)	J (mm)	Shelf Pullout (in.)	Shelf Pullout (mm)	Fits Rack	Rack Units
P19SHP68B	37.40	950	16.72	425	16.20	412	17.00	432	19 in.	2
P19SHP810B	41.30	1050	24.59	625	16.20	412	19.00	483	19 in.	2
P23SHP68B	37.40	950	16.72	425	20.20	513	17.00	432	23 in.	2
P23SHP810B	41.30	1050	24.59	625	20.20	513	19.00	483	23 in.	2

### Cable Manager Arm for Sliding Equipment Shelf

Cable Manager Arm mounts to back of sliding equipment shelf on right or left side. Controls cable movement as shelf slides in and out. 14 gauge steel with RAL 9005 black polyester powder paint finish.

Bulletin: DACCY

Catalog Number	Description	Use With
PHCB	Cable Manager Arm	Sliding Equipment Shelf



### Writing Surface for Rack-Angle-Mounted Drawer

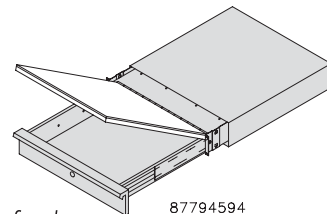


Steel cover mounts on top of the drawer and serves as a writing surface and drawer cover. Finish is RAL 7035 light-gray textured polyester powder paint. Illustration and one photo show writing surface mounted on drawer. Order drawer separately.

Bulletin: P20



Catalog Number	Description	Fits
P19WS	Steel writing surface and cover	Drawer (order separately)



Writing surface shown mounted on drawer

## Shelves for Open Frame Racks and Cabinets

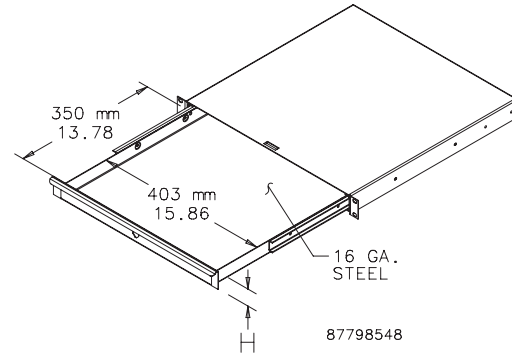
### Rack-Angle Mounted Drawer



Steel drawer for 19-in. rack-angle mounting mounts to the front surface of the rack angles. Integral steel box contains the drawer and protects surrounding internal equipment. Extends 13 in. (330 mm) on ball bearing slides. Front includes handle and key lock. Finish is RAL 7035 textured light-gray polyester powder paint. Mounting hardware is included.

Bulletin: P20

Catalog Number	H (mm)	H (in.)	Fits Rack Width	Rack Units
P19DR1US	43	1.69	19 in.	1
P19DR2US	88	3.47	19 in.	2
P19DR3US	132	5.20	19 in.	3



## Lighting Packages

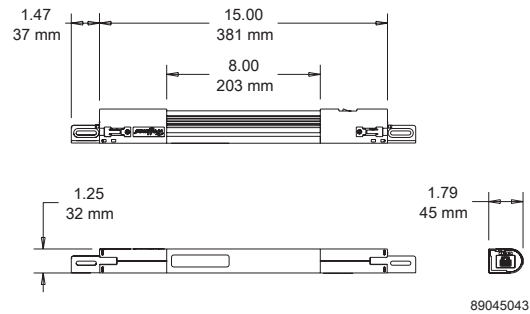
### PANELITE™ LED Enclosure Light



- 24 VDC operation for superior lighting performance with minimal power consumption
- 140-degree cone angle casts a broad covering of neutral light
- Center section rotates 120 degrees to re-direct light where needed
- Long life; 70 percent of initial luminance at 50,000 hours (at 25 C)
- High power LED emitters produce 470 Lumens for superior lighting performance; provides up to 50 percent more usable light than comparable length fluorescent lights
- Can be wired using optional PANELITE Cable Accessories or can be hard-wired with terminal blocks included in hardware kit
- Up to five lights can be daisy-chained together using hard-wired connection to power supply or catalog number LPC72 power cable with leads

Bulletin: A80LT

Catalog Number	Description	VDC	Amps	W in./mm	X in./mm
LED24V15	LED Light, 15 in.	24	.5	15.00 381	8.00 203



89045043

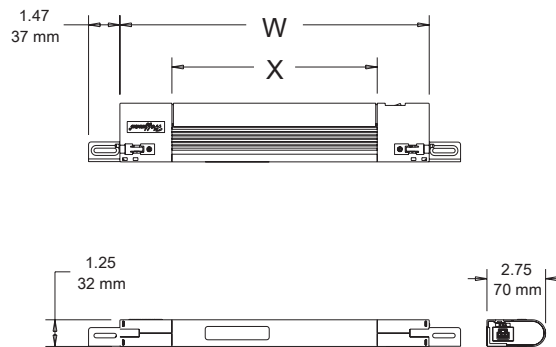
### PANELITE™ Fluorescent Enclosure Light



- 120 VAC, 50/60 Hz operation
- Can be wired using optional PANELITE™ Cable Accessories or can be hard-wired with terminal blocks included in hardware kit
- Available in 15-, 18- and 28-in. lengths with ability to daisy chain up to five lights together using one power supply
- Fluorescent bulb not included

Bulletin: A80LT

Catalog Number	VAC	Hz	Amps	W in./mm	X in./mm	Bulb (purchase separately)
LF120V15	120	50/60	.13	14.50 368	9.63 245	F6T5
LF120V18	120	50/60	.13	17.50 445	12.63 321	F8T5
LF120V28	120	50/60	.26	27.75 705	22.88 581	F14T5



89045042



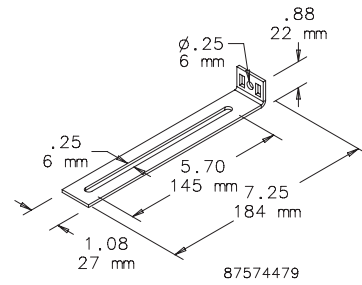
## Lighting Packages

### Mounting Bracket Kit for Light Package

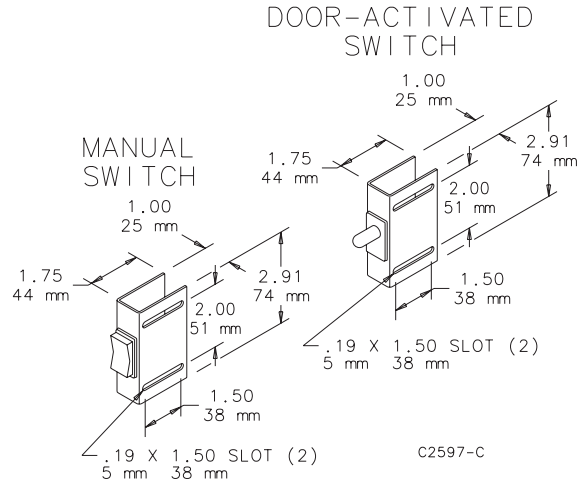
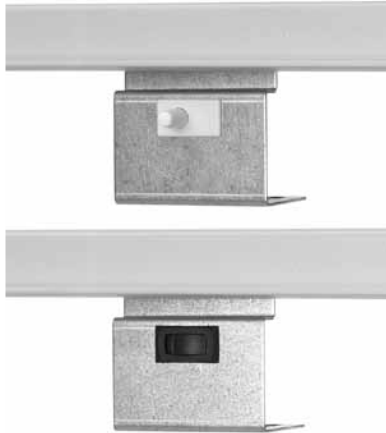
Kit simplifies mounting light package in Hoffman PROLINE® disconnect enclosures. Includes brackets, all mounting hardware and complete instructions.

Bulletin: A80LT

Catalog Number	Description
PDLFBRKT	Mounting Bracket Kit



### Remote Switches for Light Package



Remote switches for the PANELITE™ Enclosure Lights. Mounts on the frame and includes mounting hardware. Mounting plate is 14 gauge steel with a plated finish.

Bulletin: A80LT, P20

Catalog Number	Description
ALFSWM	Manual Switch
ALFSWD	Door-Activated Switch
PLFSWM	Manual Switch <sup>a</sup>
PLFSWD	Door-Activated Switch <sup>a</sup>

<sup>a</sup>For installation in PROLINE® Enclosures.

## Mounting Hardware

### Mounting Foot Kits



Available in stainless steel or composite material. Kit includes four feet and mounting hardware for all ACCESSPLUS®, D-BOX™, L-BOX® and COMLINE® cabinets.

Bulletin: A80

Catalog Number	Material
CMFK	Steel
CMFKSS	Stainless Steel
CMTGFT	Composite

### Screw Packages



Screw Packages are for mounting rack panels and equipment to rack angles.

Bulletin: A80, DACCY, X20

Catalog Number	Color	Description	Pkg. Qty.
ES1224	Silver	12-24 x 5/8 in. combo head	20
ES1224250	Silver	12-24 x 5/8 in. combo head	250
ES1224B	Black	12-24 x 5/8 in. combo head	20
ES1224B250	Black	12-24 x 5/8 in. combo head	250
ASM5	Silver	M5 x 20 mm Combo Head	20
ASM6	Silver	M6 x 16 mm combo head	20
ASM5T	Silver	M5 x 12 mm thread-forming Phillips hex head screws	20
ASM6250	Silver	M6 x 16 mm combo head	250
AS1032	Silver	10-32 x 5/8 in. combo head	20
AS1032250	Silver	10-32 x 5/8 in. combo head	250
AS1032B	Black	10-32 x 5/8 in. combo head	20

Use ASM5T on PROLINE® frame or Net Series extruded holes.

### Cage Nut Package

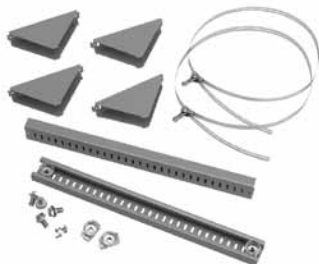


Cage Nut Packages are for use with square-hole rack angles. Cage nuts are plated steel.

Bulletin: DACCY, P20

Catalog Number	Color	Description	Pkg. Qty.
PM5CN	Silver	M5 cage nut	20
PM6CN	Silver	M6 cage nut	20
PM6CN250	Silver	M6 cage nut	250
P1032CN	Silver	10-32 cage nut	20
P1032CN250	Silver	10-32 cage nut	250
P1224CN	Silver	12-24 cage nut	20
P1224CN250	Silver	12-24 cage nut	250

### Pole Mounting Kits



Enable COMLINE®, CONCEPT®, ACCESSPLUS®, D-BOX™ and L-BOX® enclosures to be mounted to poles of various sizes and shapes. Simply attach the galvanized steel channel bar to the mounting holes at the back of the enclosure, then wrap the stainless steel strap around the pole and through the bar. Kit includes two mounting channels, two straps suitable for up to 12-in. diameter pole, and mounting hardware.

Bulletin: CWY

Catalog Number	Fits Enclosure
CPMK12	when B = 12.00 (305)
CPMK16	when B = 16.00 (406)
CPMK20	when B = 20.00 (508)
CPMK24	when B = 24.00 (610)
CPMK30	when B = 30.00 (762)

## Mounting Hardware

### PROLINE® Fastener Packages



Use to fasten components to the grid system. PGF Packages include 20 front-loading clip nuts (M6) and 20 combination-drive washer-head bolts (M6).

Grounding Package is used with the rectangular holes in the PROLINE® frame to provide electrical continuity between the frame and the grid system. ASM5T Package is used with PROLINE frames having round holes. Package includes 20 M5 self-tapping screws.

Bulletin: DACCY, P20

Catalog Number	Description	Use in	Pkg. Qty.
ASM5T	M5 x 12 mm thread-forming Phillips hex head screws	Round holes	20
PGFM6	Standard Package - M6 cage nuts and bolts	Rectangular holes	20
PGFGM6	Grounding Package - M6 grounding cage nuts and bolts	Tapped holes	20

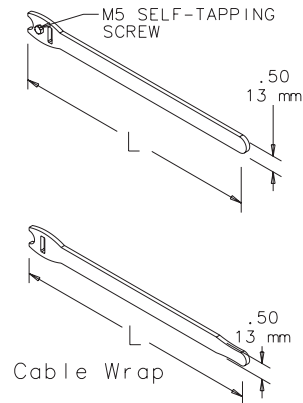
### VELCRO® Cable Wrap



Securely holds cable to cable manager and unfastens easily for cable maintenance. VELCRO® is 0.5-in. (12.7-mm) wide. Available in 8- and 12-in. (203- and 305-mm) lengths in both screw fastener and wrap styles. M5 self-tapping screw is used on Net Series or PROLINE® frames.

VELCRO is a trademark of Velcro Industries B.V.

Bulletin: DACCY



87951397

Catalog Number	Description	L (in.)	L (mm)	Color	Pkg. Qty.
ECWTD8B	Screw fastener style. Includes M5 mounting screw.	8.00	203	Black	10
ECWTD12B	Screw fastener style. Includes M5 mounting screw.	12.00	305	Black	10
ECW8B	Wrap style	8.00	203	Black	10
ECW8R	Wrap style	8.00	203	Red	10
ECW8BL	Wrap style	8.00	203	Blue	10
ECW8Y	Wrap style	8.00	203	Yellow	10
ECW12B	Wrap style	12.00	305	Black	10
ECW12R	Wrap style	12.00	305	Red	10
ECW12BL	Wrap style	12	305	Blue	10
ECW12Y	Wrap style	12	305	Yellow	10

## Handles, Latches and Locks

### Quick Reference Guide to Networking Handles, Latches and Locks

Hoffman offers an array of handles, latches and locks to help make your cabinet application as secure yet easy to use as possible.



Cabinet	Std. Key Code	Keylocking Wing Knob (DL36)	Padlocking L Handle (ELHP)	Padlocking Quarter-Turn Latch (EPL4)	3-Digit Combination Lock* (PTLCMB3B)	Quarter-Turn Lock (PSCL0)	Quarter-Turn Lock (DKL2233)	Net Series Combination L-Handle
COMLINE		.	.	.	.	.	.	.
ACCESSPLUS	333	.	.	.	.	.	. <sup>a</sup> . <sup>b</sup>	.
D-BOX	2233	.	.	.	.	.	.	.
L-BOX	333	.	.	.	.	.	. <sup>a</sup> . <sup>b</sup>	.
Net Series side panels	2233	.	.	.	.	.	.	.
PC Cabinet side panels and keyboard	2233	.	.	.	.	.	.	.
PROLINE side panels	2233	.	.	.	.	.	.	.
PROTEK	333	.	.	.	.	.	.	.
Seismic side panels	2233	.	.	.	.	.	.	.
SOHO side panels	2233	.	.	.	.	.	.	.

\*Do not use 3-Digit Combination Lock in severe environments such as corrosive, very wet, salt spray or mist.

<sup>b</sup>2233 Key Code

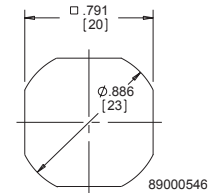
### Keylocking Wing Knob



Locking wing nut position shows whether door is locked. Wing nut has silver or black finish. Includes 2 keys with 333 key code. Install using existing enclosure cam.

**Bulletin: A80, DWS12**

Catalog Number	Description	Use with
DL36	Chrome Keylocking Wing Knob	ACCESSPLUS® II, L-BOX®, COMLINE®, PROTEK®
PTL36B	Black Keylocking Wing Knob	ACCESSPLUS® II, L-BOX®, COMLINE®, PROTEK®



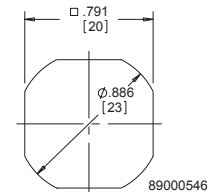
### Padlocking L Handle



L Handle easily turns to open and close cabinet. Padlock can be added for extra security. Handle has a black and silver finish. Install using existing enclosure cam.

**Bulletin: DCOMY**

Catalog Number	Description	Use with
ELHP	Padlocking L Handle	ACCESSPLUS® II, L-BOX®, COMLINE®, PROTEK®



## Handles, Latches and Locks

### Net Series Combination L-Handle



Combination L-Handle fits Net Series cabinet doors. The 4-digit combination lock with master key override can easily be changed. Install using existing cam from standard handle.

Bulletin: DCY

Catalog Number	AxBxC in./mm	Description	Use With
NCLH	7.50 x 1.38 x 2.50 191 x 35 x 64	L-Handle with combination lock and master key override	Net Series doors

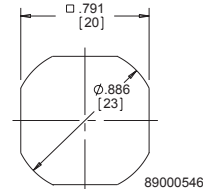
### Padlocking Quarter-Turn Latch



Quarter-Turn Latch requires Allen wrench, included with lock, to open or close cabinet. Padlock can be added for extra security. Install using existing enclosure cam.

Bulletin: DCOMY

Catalog Number	Description	Use with
EPL4	Padlocking Quarter-Turn Latch	ACCESSPLUS® II, L-BOX®, COMLINE®, PROTEK®



### 3-Digit Combination Lock

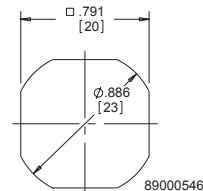


3-Digit Combination Lock in handle eliminates the need to carry around a key. Combination can easily be changed. A quarter turn of the handle opens and closes the cabinet. Lock has silver and black finish. Install using existing enclosure cam.

**Do not use in severe environments such as corrosive, very wet, salt spray or mist.**

Bulletin: DWS12

Catalog Number	Description	Use with
PTLCMB3B	Combination Lock	ACCESSPLUS® II, L-BOX®, COMLINE®, PROTEK®



## Handles, Latches and Locks

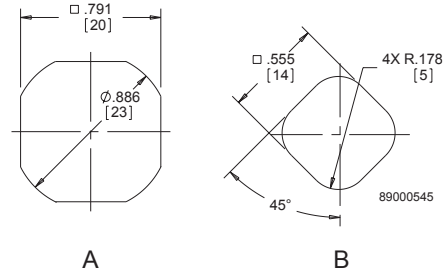
### Quarter-Turn Lock



Quarter-turn keylock includes two keys with 2233 key code. Install using existing enclosure cam.

Bulletin: **DACCY, DPC**

Catalog Number	AxBxC in./mm	Description	Use with	Hole Size
<b>P5CLO</b>	0.00	Quarter-turn keylock	D-BOX™, side panels on PROLINE®, Net Series, SOHO and Seismic cabinets; side panels and keyboard on PC cabinets	B (see dimension drawing)
<b>DKL2233</b>	0.89 x 1.00 x 1.50 23 x 25 x 38	Quarter-turn keylock	ACCESSPLUS® II, L-BOX®	A (see dimension drawing)



### Replacement Keys



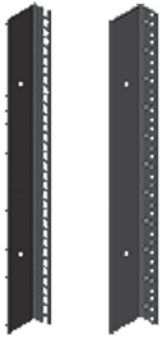
Fits PROLINE® Network Cabinet and Networking Wall-Mount Cabinet.

Bulletin: **DACCY**

Catalog Number	Key Code	Includes	Use with
<b>E2233KEY</b>	2233	2 Keys	PROLINE®, Net Series, D-BOX™, PC Cabinet, SOHO
<b>E333KEY</b>	333	2 Keys	ACCESSPLUS® II, L-BOX®

## General Accessories

### 19-in. and 23-in. Rack Angles



Made of 14 gauge steel with square holes or 12 gauge steel with 10-32 tapped holes. Provides 19- or 23-in. rack spacing depending on frame width. Finished with flat black RAL 9005 polyester powder paint or plated. Furnished in pairs.

Bulletin: DNCY, DWDH1



87570462

Catalog Number	Rack Spacing	Hole Type	Finish	Use With	Fits Frame Height	Fits Frame Width	Rack Units	L (mm)	L (in.)
ERA197THLN	19 in.	Square	Black	Networking Cabinet - SOHO	700mm	600mm	11	492	19.38
ERA197TPLN	19 in.	Tapped	Black	Networking Cabinet - SOHO	700mm	600mm	11	492	19.38
ERA1921TPL	19 in.	Tapped	Black	Seismic Cabinet	2100mm	700mm	45	2003	78.87
ERA192321TPL	19 & 23 in.	Tapped	Black	Seismic Cabinet	2100mm	800mm	45	2003	78.87
ERA1910TPL	19 in.	Tapped	Black	Network PC Cabinet	Bottom Section	—	19	848	33.37

### Rack Unit Label



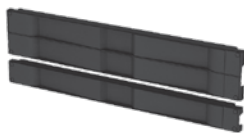
Self-adhesive clear Mylar™ label with white numbers enables numbering along sides of open frame racks or rack angles. Numbers spaced one rack unit apart. Can be used for bottom-up or top-down numbering of rack units to simplify equipment installation. Each label provided in two pieces (numbers 1-29 and 30-58) for easier installation. Two labels per catalog number. Label shown mounted on rack angle.

*Mylar is a registered trademark of DuPont Tejin Films.*

Bulletin: DOFRY

Catalog Number	Installed Length in./mm	Width in./mm
ARULABEL	101.50	.50
	2578	13

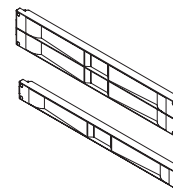
### Tool-less (Snap-in) Blanking Panels for 19-in. Racks



These Tool-less 19-in. Blanking Panels provide easy tool-less installation and ensure proper airflow to equipment. Made of black composite material and can be used with tapped or square EIA universal spaced rack mounting angles.

Bulletin: DACCY

Catalog Number	Description	Rack Units	Fits	Pkg. Qty.
D19BPT1RU	Blanking Panel, 19 in.	1	19 in., universal rack spacing, tapped or square holes	10
D19BPT2RU	Blanking Panel, 19 in.	2	19 in., universal rack spacing, tapped or square holes	10



87928709

## General Accessories

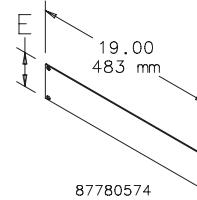
### Rack Panel for 19-in. Racks



Used to cover unused rack space in cabinets or open frame racks for a finished appearance. Can also be used for surface mounting small devices. Panels are flat with mounting slots spaced at 19-in. EIA standard spacing. Made of 12 gauge steel with RAL 9005 black polyester powder paint finish. Mounting hardware sold separately.

Bulletin: DOFRY

Catalog Number	Rack Units	E (in.)	E (mm)
P19RPP1UB	1	1.75	44
P19RPP2UB	2	3.50	89
P19RPP3UB	3	5.25	133
P19RPP4UB	4	7.00	178
P19RPP5UB	5	8.75	222
P19RPP6UB	6	10.50	267



### Touch-Up Paint



For repairing the finish of any painted parts.

Bulletin: DACCY, P20

Catalog Number	Description
ATPG7035	RAL 7035 Gray
ATPB9005	RAL 9005 Black